



ExpressHeader

WINDOWS & DOORS

Simply A Better Window & Door Header!

3½" width for 2x4 construction

5½" width for 2x6 construction

Available Depths 9¼" & 11¼"

Value engineered for commercial jobs.
Custom Depths Available
(call for details)

Full Thermal Break (Foam Core Construction)

3½" ExpressHeader = R7.75

5½" ExpressHeader = R16

Right size every time.

No cupping, twisting, or bowing.
Less call backs for drywall problems.

Available in lengths up to 16'
(Precision End Trim Offered)

Bonded with exterior structural adhesive

One Piece Express Installation

3½" Construction Description:

1¼" LVL (Laminated Veneer Lumber)

1" of Expanded Polystyrene (EPS)

1¼" LVL (Laminated Veneer Lumber)

5½" Construction Description:

1¼" LVL (Laminated Veneer Lumber)

3" of Expanded Polystyrene (EPS)

1¼" LVL (Laminated Veneer Lumber)



ROOF LOAD

ExpressHeader Allowable Uniform Roof Loads | 15%

| Size | Span | 2' | 2'-6" | 3' | 3'-6" | 4' | 5' | 6' | 7' | 8' | 9' | 10' | 11' | 12' |
|----------|------|------|-------|------|-------|------|------|------|------|------|------|-----|-----|-----|
| 3½ x 9¼ | LL | 2807 | 2245 | 1870 | 1602 | 2034 | 1626 | 1354 | 1160 | 1007 | 749 | 544 | 408 | 313 |
| | TL | 2807 | 2245 | 1870 | 1602 | 2034 | 1626 | 1354 | 1160 | 1007 | 795 | 643 | 530 | 419 |
| 3½ x 11¼ | LL | 2806 | 2244 | 1869 | 1601 | 2473 | 1977 | 1647 | 1411 | 1234 | 1096 | 915 | 737 | 566 |
| | TL | 2806 | 2244 | 1869 | 1601 | 2473 | 1977 | 1647 | 1411 | 1234 | 1096 | 915 | 755 | 634 |
| 5½ x 9¼ | LL | 2807 | 2245 | 1870 | 1602 | 2034 | 1626 | 1354 | 1160 | 1007 | 749 | 544 | 408 | 313 |
| | TL | 2807 | 2245 | 1870 | 1602 | 2034 | 1626 | 1354 | 1160 | 1007 | 795 | 643 | 530 | 419 |
| 5½ x 11¼ | LL | 2806 | 2244 | 1869 | 1601 | 2473 | 1977 | 1647 | 1411 | 1234 | 1096 | 915 | 737 | 566 |
| | TL | 2806 | 2244 | 1869 | 1601 | 2473 | 1977 | 1647 | 1411 | 1234 | 1096 | 915 | 755 | 634 |

Minimum bearing 1½", one trimmer at the ends.

Spans 4' and over require 3" bearing, two trimmers at the ends.

Uniform loads per lineal foot. Deflection L/240 live load, L/180 total load.

Refer to local codes for floor & roof design load criteria.

FLOOR LOAD

ExpressHeader Allowable Uniform Floor Loads | 100%

| Size | Span | 2' | 2'-6" | 3' | 3'-6" | 4' | 5' | 6' | 7' | 8' | 9' | 10' | 11' | 12' |
|----------|------|------|-------|------|-------|------|------|------|------|------|-----|-----|-----|-----|
| 3½ x 9¼ | LL | 2807 | 2245 | 1870 | 1602 | 1768 | 1413 | 1177 | 1008 | 710 | 497 | 361 | 270 | 207 |
| | TL | 2807 | 2245 | 1870 | 1602 | 1768 | 1413 | 1177 | 1008 | 875 | 690 | 544 | 408 | 313 |
| 3½ x 11¼ | LL | 2806 | 2244 | 1869 | 1601 | 2150 | 1719 | 1431 | 1226 | 1072 | 898 | 653 | 489 | 375 |
| | TL | 2806 | 2244 | 1869 | 1601 | 2150 | 1719 | 1431 | 1226 | 1072 | 952 | 795 | 656 | 550 |
| 5½ x 9¼ | LL | 2807 | 2245 | 1870 | 1602 | 1768 | 1413 | 1177 | 1008 | 710 | 497 | 361 | 270 | 207 |
| | TL | 2807 | 2245 | 1870 | 1602 | 1768 | 1413 | 1177 | 1008 | 875 | 690 | 544 | 408 | 313 |
| 5½ x 11¼ | LL | 2806 | 2244 | 1869 | 1601 | 2150 | 1719 | 1431 | 1226 | 1072 | 898 | 653 | 489 | 375 |
| | TL | 2806 | 2244 | 1869 | 1601 | 2150 | 1719 | 1431 | 1226 | 1072 | 952 | 795 | 656 | 550 |

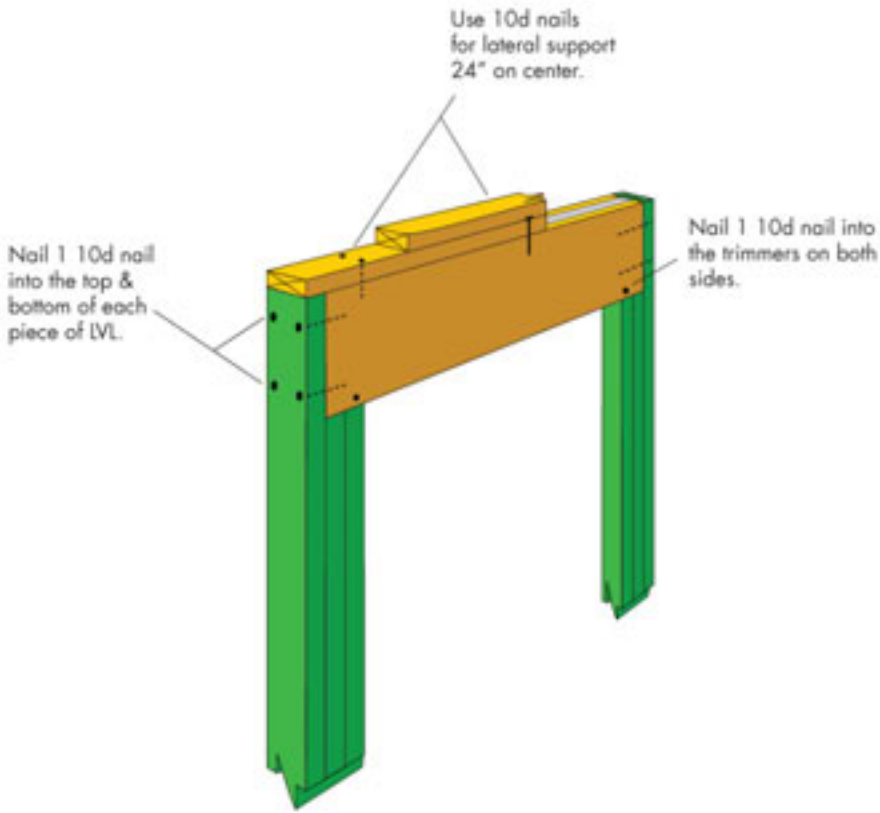
Minimum bearing 1½", one trimmer at the ends.

Spans 4' and over require 3" bearing, two trimmers at the ends.

Uniform loads per lineal foot. Deflection L/360 live load, L/240 total load.

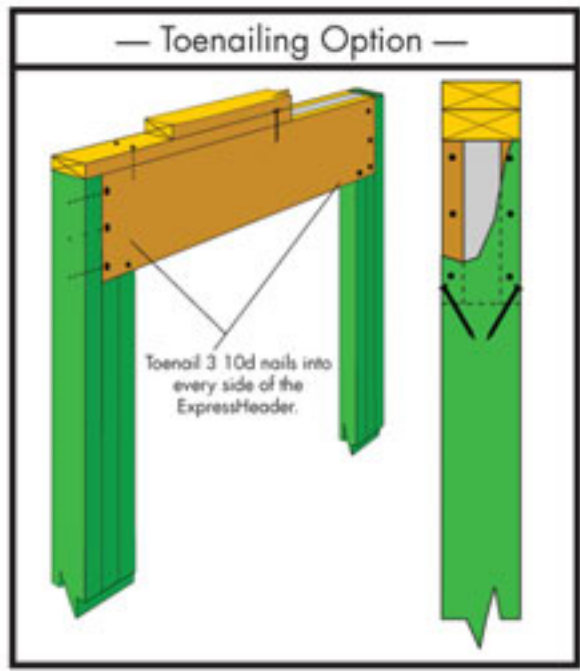
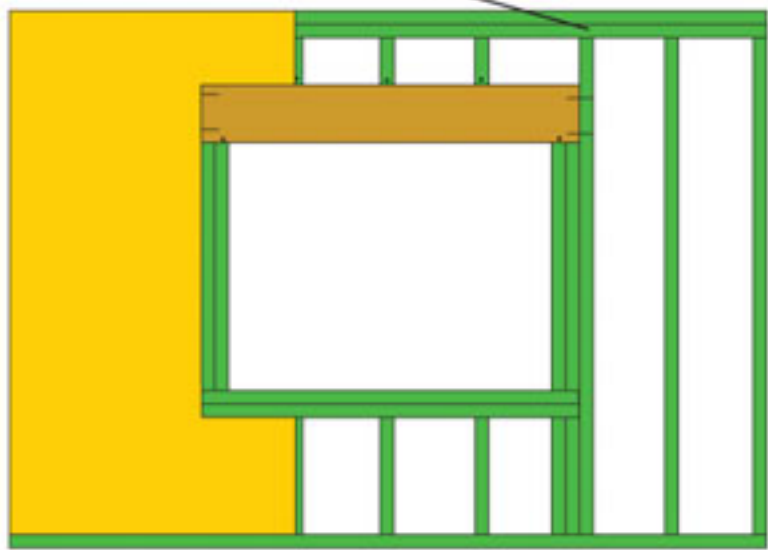
Refer to local codes for floor & roof design load criteria.





Never cut, drill or notch the ExpressHeader.

Lateral Support required along top edge of each ply. Use 10d nails 24" on center maximum.



Additional products by SJS Components include:



Timber Trusses

Are you looking for Timber Trusses? SJS Components custom designs and builds Timber Trusses in a variety of materials and quantities. You will be provided with a drawing from a certified structural engineer, metal plate connectors, bolts and timbers cut-to-size, shipped directly to your job site for reassembly. Trusses can be built from solid sawn kiln dried Douglas Fir timbers, Douglas Fir glulam beams, or Alaskan Yellow Cedar glulam beams. Great for adding a unique look to the interior or exterior of your next residential or commercial building project!



6778 S St Rd 13, Warsaw, IN 46580

Phone: (260) 578-0192 E-mail: info@sjscomponents.com

www.SJSComponents.com www.ExpressHeader.com

All illustrations and specifications contained in this literature are based on the latest product information at time of publication. SJS Components reserves the right to make changes at anytime without notice and assumes no responsibility for any error in this literature. © 2007 SJS Components